

DATE

PROJECT NOTES

Compatible with a wide range of dimmers and control systems including Lutron Homeworks and its derivatives, this is the default driver for sensitive dimming applications such as high-end residential and luxury hospitality.

- Dim-to-dark performance
- 120VAC or 277VAC input
- MLV dimming as standard; ELV also available (inquire)
- Compatible with most popular control systems and dimmers
- Made in the USA
- 5-year warranty



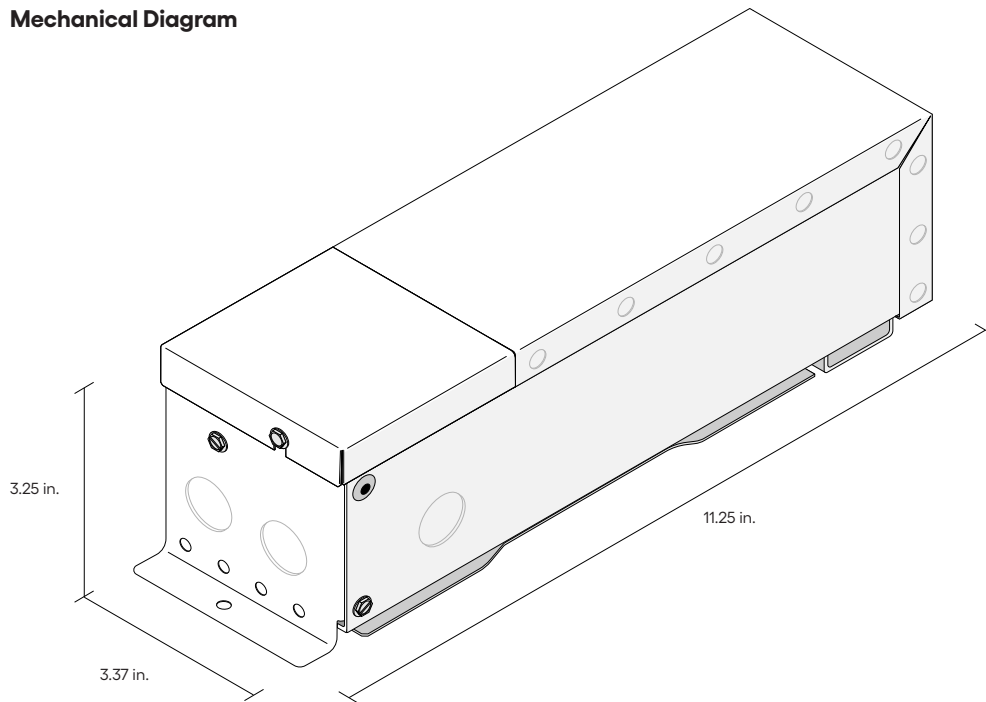
Lucetta Lighting	Model	Output Voltage	Input Voltage
	481	24DCR	-
	482		240
	483		277
	961		-
	962		240
	963		277

Example: 482-24DCR-240

		481-24DCR 482-24DCR-240 483-24DCR-277	961-24DCR 962-24DCR-240 963-24DCR-277
Input	Voltage / Frequency	120VAC / 240VAC / 277VAC (50/60Hz)	
	Current (Full Load)	2.5/4.5 +/-0.25 Amps	
	Efficiency / Power Factor (max)	80% / .85	
	Wire or Terminal Connection	Screw down terminal connection. Fits up to 12AWG solid copper wire.	
Output	Voltage (Full Load)	24VDC ± 0.3	
	Max Current (Full Load)	2A, 48W	4A, 96W
	Power (Wattage)	48W	96W
	Wire or Terminal Connection	Terminal Connection. Screw down terminal connection. Fits up to 12AWG solid copper wire. No framed ground connection.	
	# Output Connections	1	
Environment	Ambient Temperature ¹	-40 ~ +176°F (-40 ~ +80°C)	
	Operating Temperature ²	-22 ~ +140°F (-30 ~ +60°C)	
	Location	Indoor/Outdoor NEMA Type 3R rainproof enclosure	
	Working Humidity	100%, non-condensing.	
	Class 2 Compliant	Yes	

Additional Information	Safety Standards	UL Listed
	Regulatory	Buy American Act (BAA) Compliant
	Dimmable	Yes, using Magnetic Low Voltage dimmer
	Minimum Load	>50% load is recommended for optimum dimming performance. Results may vary when dimming loads below 50% down to 10%.
	Dimensions	11.25 x 3.37 x 3.25 in. (L x W x H)
	Warranty	5 years

Mechanical Diagram



Note¹ Do not install product in an environment outside the listed ambient temperature. Ensure adequate airflow and heatsinking is considered when mounting/installing. Exceeding the maximum ambient temperature may damage LED chips by reducing the total lamp life, lumen output, and/or adversely impact color consistency.

Note² Operating temperature is measured according to the minimum and maximum ambient temperature environment.

Note³ When installing in ambient temperatures that may reach over 100°F, refer to the 'Derating Curve' to avoid overheating and damage to the driver.

Safety / Warnings / Disclosures

1. Install in accordance with national and local electrical code regulations.
2. This product is intended to be installed and serviced by a qualified, licensed electrician.
3. Not for use in or on walls of pools, fountains, or other partially or fully submersed locations.
4. Do not modify or disassemble product beyond instructions or this warranty will be void.
5. Actual color may vary from what is pictured above and on other print materials due to the limitations of photographic processes.
6. We reserve the right to modify and improve the design of our fixtures without prior notice. We cannot guarantee to match existing installed fixtures for subsequent orders or replacements in regards to product appearance, CCT, or lumen output.

Limited Warranty

- 5 Years

This warranty does not include the additional accessories referenced in this specification sheet. Complete warranty details for fixtures and additional accessories are available at <https://lucettalighting.com/limited-warranty/> within the Policies section. For warranty related questions please contact product support.

Consumer's Acknowledgment

Elemental LED, Inc. stands behind its products when they are used properly and according to our specifications. By purchasing our products, the purchaser agrees and acknowledges that lighting design, configuration and installation is a complex process, wherein seemingly minor factors or changes in layout and infield adjustments can have a significant impact on an entire system. Choosing the correct components is essential. Elemental LED is able to work with the original purchaser to make an appropriate product selection to the extent of the limited information that the customer can provide, but it is virtually impossible for Elemental LED to design a system that foresees every unknown factor. For this reason, this Warranty does not cover problems caused by improper design, configuration or installation issues. Any statement from a Elemental LED employee or agent regarding a customer's bill of goods and/or purchase order is NOT an acknowledgment that the products purchased are designed and configured correctly. The purchase agrees and acknowledges that it is the customer's responsibility to adhere strictly to all information contained in the Product Specification Sheets.

There is often more than one way to design, configure and layout an LED lighting application properly to achieve the same lighting effect. Elemental LED strongly recommends that licensed professionals be used in the design and installation of lighting systems that include Elemental LED products. The specifications include important information that a designer and installer should carefully review and strictly follow. Qualified designers and certified and/or licensed installers, with access to the final installation environment, customer goals, and Elemental LED product specifications can make the requisite decisions appropriate for a successful finished lighting application.